

TOP LINE

Clamp Fittings



Stainless Steel
Flow Control
Equipment for the
Food and Beverage,
Dairy, Cosmetics,
Biotechnology,
Pharmaceutical and
Electronics Processing
Industries

TOP LINE... *experienced and responsive to your needs*

Top Line has been supplying high quality stainless steel products to the dairy, food, beverage, pharmaceutical and other process industries for over twenty-five years. Our commitment to fine craftsmanship, responsible service and realistic pricing has led to our company's successive years of growth.

Top Line specializes in stainless steel materials – types 304, 316, and "L grades". In addition, Top Line can also manufacture fittings in AL6XN, Titanium, Haselloy C, or other alloys if required.

Our modern, well-equipped manufacturing facilities are staffed by our skilled and dedicated craftsmen.

Consistently meeting important tolerances and finish specifications is of primary concern to us. Before any products leave our plant they are subjected to rigid quality assurance checks.

Top Line should always be considered your first choice for both standard and custom fabricated stainless steel products.



Top Line precision crafted Clamp Fittings provide fast, sanitary and secure connections. Polished fittings meet or exceed FDA and 3A regulatory standards.

Ordering Specifications

- Specify:**
- Quantity
 - Size
 - Product Description
 - Stock Number
 - Material Type
 - Polish Requirements

Clamp Fittings Specifications

- Size Range:** 1" OD through 4" OD
Materials: 304 (Stock No. Prefix 32)
 316L (Stock No. Prefix 38)
Finish: No. 7 – ID and OD (standard)
 No. 5 – OD only (special)
 No. 3 – ID only (special)
 No. 1 – unpolished (special)

Polish specifications: 3A fittings meet or exceed 180 grit ID (32 Ra) and 150 grit OD.

Example:

Quantity	Size	Product Description	Stock Number	Material Type	Polish
↓	↓	↓	↓	↓	↓
<u>3 Each</u>	<u>2"</u>	<u>2CMP-90°</u>	<u>#32720-7</u>	<u>Type 304</u>	<u>No. 7</u>
<u>3 Each</u>	<u>2"</u>	<u>2CMP-90°</u>	<u>#38720-7</u>	<u>Type 316</u>	<u>No. 7</u>

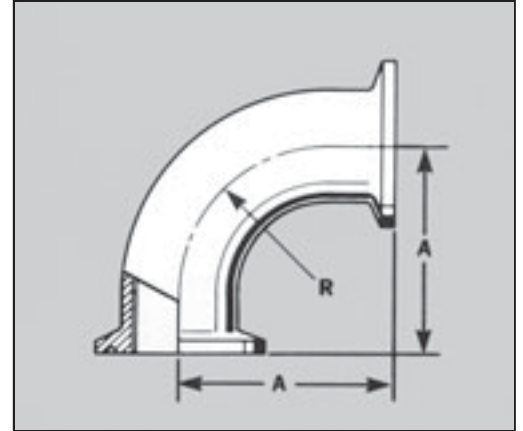
LIMITED WARRANTY

Top Line Process Equipment Company products are warranted to be free of defects in material or workmanship for a period of one year from date of shipment. Warranty covers those Top Line products used in an approved installation and maintained in strict accordance with recognized standard industry practice. If, after properly authorized return, Top Line determines that products are defective, Top Line may at its option, repair or replace such defective products.

Top Line shall not be liable for consequential, indirect or incidental damages. The above warranty is in lieu of all other warranties, expressed or implied.

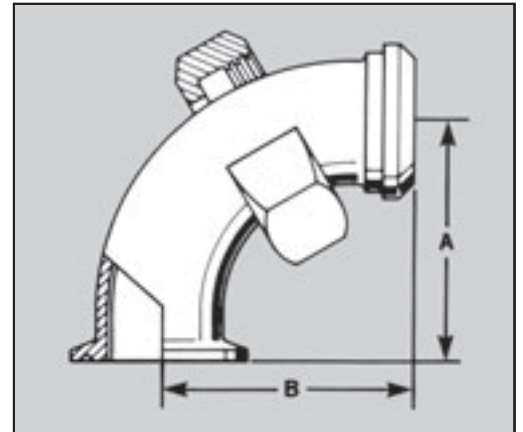
2CMP-90° ELL (3A)

SIZE (TUBE O.D.)	A	B	STOCK NO.
1	2	1-1/2	32710
1-1/2	2-3/4	2-1/4	32715
2	3-1/2	3	32720
2-1/2	4-1/4	3-3/4	32725
3	5	4-1/2	32730
4	6-5/8	6	32740



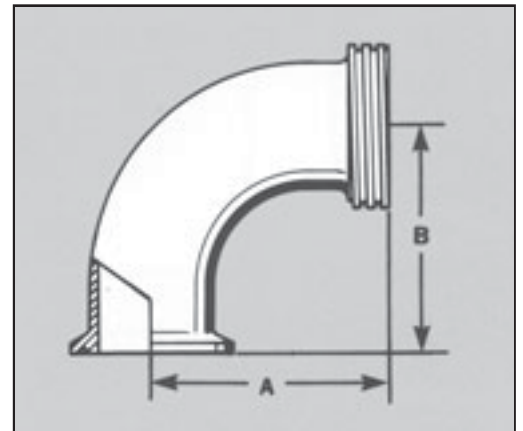
2FMP-14-90° SWEEP ELL (3A)

SIZE (TUBE O.D.)	A	B	STOCK NO.
1	2	2-3/16	327010
1-1/2	2-3/4	2-31/32	327015
2	3-1/2	3-23/32	327020
2-1/2	4-1/4	4-19/32	327025
3	5	5-13/32	327030
4	6-5/8	7-7/32	327040



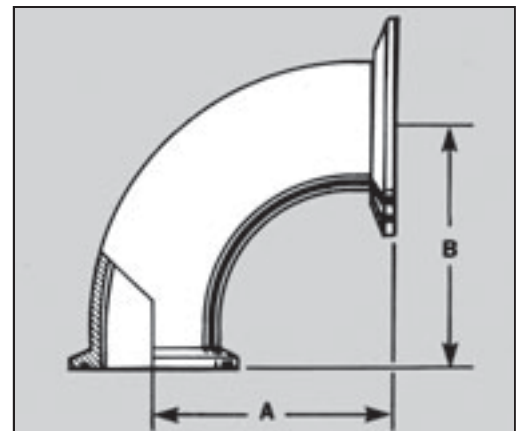
2FMP-15-90° SWEEP ELL (3A)

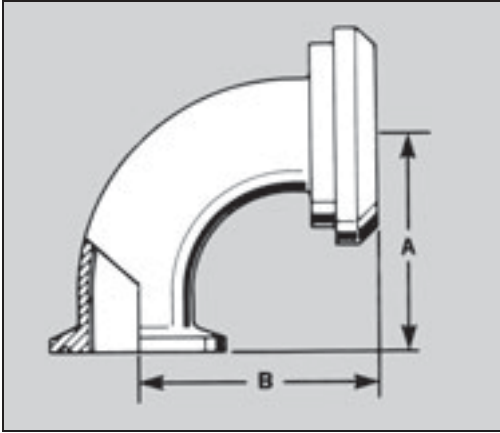
SIZE (TUBE O.D.)	A	B	STOCK NO.
1	2	1-7/8	327110
1-1/2	2-31/32	2-3/4	327115
2	3-23/32	3-1/2	327120
2-1/2	4-19/32	4-1/4	327125
3	5-13/32	5	327130
4	7-7/32	6-5/8	327140



2CMP-31MP-90° CONCENTRIC REDUCING ELL

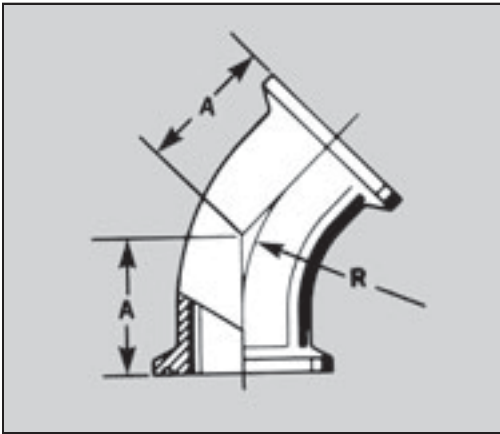
SIZE (TUBE O.D.)	A	B	STOCK NO.
2 x 1	2	2	327220
2 x 1	2-3/4	2-3/4	327220A
2-1/2 x 1	2-3/4	2-3/4	327225
2-1/2 x 2	3-1/2	3-1/2	327225A
3 x 1-1/2	2-3/4	2-3/4	327230
3 x 2	3-1/2	3-1/2	327230A
3 x 2-1/2	4-1/4	4-1/4	327230B
4 x 2-1/2	4-1/4	4-1/4	327240
4 x 3	5	5	327240A





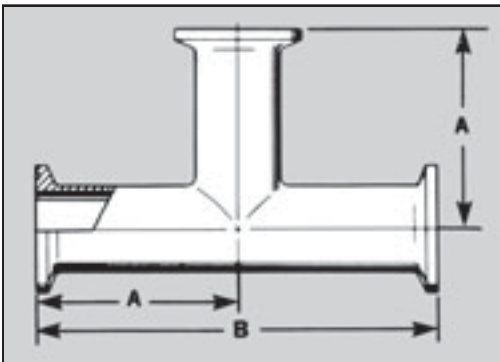
2FMP-31MP-90° ELL(3A)

SIZE (TUBE O.D.)	A	B	STOCK NO.
2 x 1	2	1-9/16	327420
2 x 1-1/2	2-3/4	2-5/16	327420A
2-1/2 x 1-1/2	2-3/4	2-5/16	327425
2-1/2 x 2	3-1/2	3-1/16	327425A
3 x 1-1/2	2-3/4	2-5/16	327430
3 x 2	3-1/2	3-1/16	327430A
3 x 2-1/2	4-1/4	3-13/16	327430B
4 x 2-1/2	4-1/4	3-13/16	327440
4 x 3	5	4-9/16	327440A



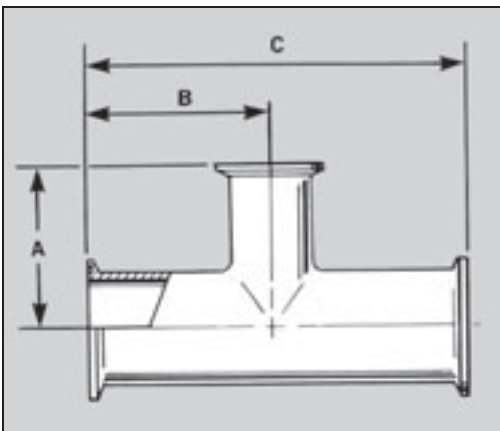
2KMP - 45° ELL (3A)

SIZE (TUBE O.D.)	A	B	STOCK NO.
1	1-1/8	1-1/2	32810
1-1/2	1-7/16	2-1/4	32815
2	1-3/4	3	32820
2-1/2	2-1/16	3-3/4	32825
3	2-3/8	4-1/2	32830
4	3-1/8	6	32840



7MP - TEE (3A)

SIZE (TUBE O.D.)	A	B	STOCK NO.
1	2-3/8	4-3/4	321110
1-1/2	2-3/4	5-1/2	321115
2	3-1/2	7	321120
2-1/2	3-1/2	7	321125
3	3-3/4	7-1/2	321130
4	4-1/2	9	321140

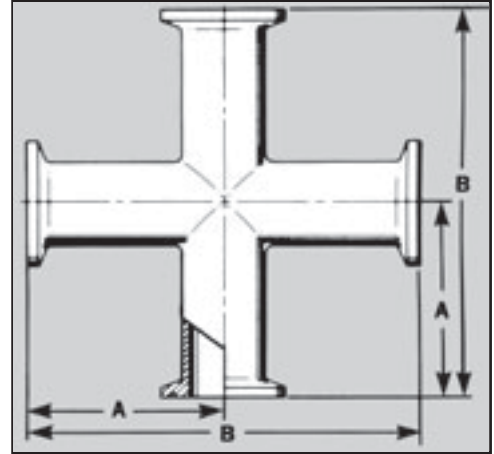


**7RMP - REDUCING TEE
(Reduced Size on Branch)**

SIZE (TUBE O.D.)	A	B	C	STOCK NO.
2 x 1	2-1/8	2-9/16	5-1/8	321120R10
2 x 1-1/2	2-13/32	2-9/16	5-1/8	321120R15
2-1/2 x 2	2-13/16	2-27/32	5-11/16	321125R20
3 x 2	3-1/16	3-3/32	6-3/16	321130R20
3 x 2-1/2	3-3/32	3-3/32	6-3/16	321130R25
4 x 2	4-7/8	4-1/16	8-1/8	321140R20
4 x 2-1/2	4-7/8	4-1/16	8-18	321140R25
4 x 3	4-7/8	4-1/16	8-1/8	321140R30

9MP CROSS (3A)

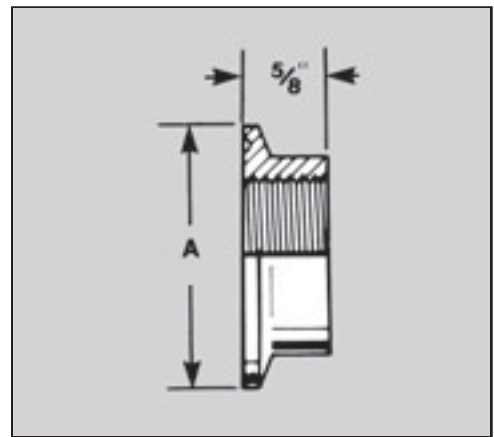
SIZE (TUBE O.D.)	A	B	STOCK NO.
1	2-3/8	4-3/4	3210110
1-1/2	2-3/4	5-1/2	3210115
2	3-1/2	7	3210120
2-1/2	3-1/2	7	3210125
3	3-3/4	7-1/2	3210130
4	4-1/2	9	3210140



23BMP THERMOMETER CAP

SIZE (TUBE O.D.)	A	STOCK NO.
1	1.984	329810B
1-1/2	1.984	329815B
2	2.516	329820B
2-1/2	3.047	329825B
3	3.579	329830B
4	4.682	329840B

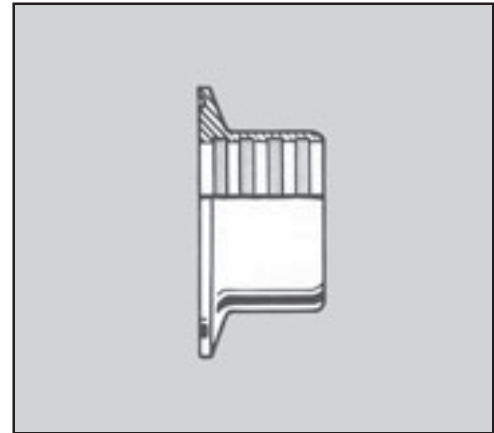
NOTE: 1" TAPPED 1/2" NPT; ALL OTHERS 3/4" NPT



31RMP-REDUCING FERRULE-CONCENTRIC (3A)

SIZE (TUBE O.D.)	OVERALL LENGTH	STOCK NO.
1-1/2 x 1	3/4	329415
2 x 1	3/4	329420
2 x 1-1/2	1-1/8	329420A
2-1/2 x 1	1-1/8	329425
2-1/2 x 1-1/2	1-1/8	329425A
2-1/2 x 2	1-5/16	329425B

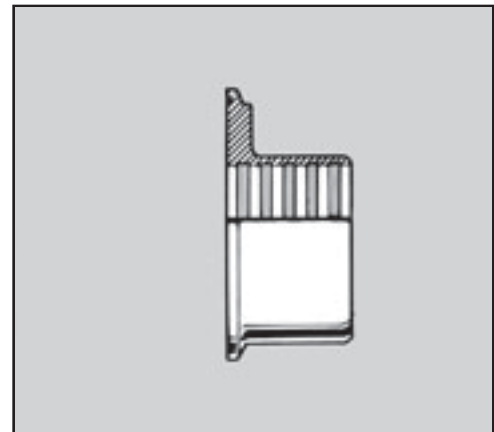
SIZE (TUBE O.D.)	OVERALL LENGTH	STOCK NO.
3 x 1	1-5/16	329430
3 x 1-1/2	1-5/16	329430A
3 x 2	1-5/16	329430B
3 x 2-1/2	1-3/8	329430C
4 x 2-1/2	1-3/8	329440
4 x 3	1-7/16	329440A

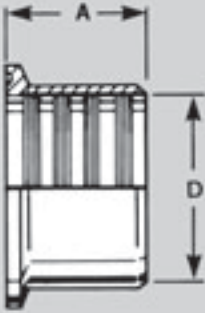


32RMP-REDUCING FERRULE-CONCENTRIC (3A)

SIZE (TUBE O.D.)	OVERALL LENGTH	STOCK NO.
1-1/2 x 1	3/4	329515
2 x 1	3/4	329520
2 x 1-1/2	1-1/8	329520A
2-1/2 x 1	1-1/8	329525
2-1/2 x 1-1/2	1-1/8	329525A
2-1/2 x 2	1-5/16	329525B

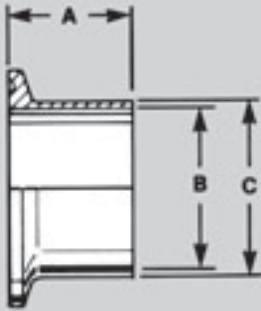
SIZE (TUBE O.D.)	OVERALL LENGTH	STOCK NO.
3 x 1	1-5/16	329530
3 x 1-1/2	1-5/16	329530A
3 x 2	1-5/16	329530B
3 x 2-1/2	1-3/8	325430C
4 x 2-1/2	1-3/8	329540
4 x 3	1-7/16	329540A





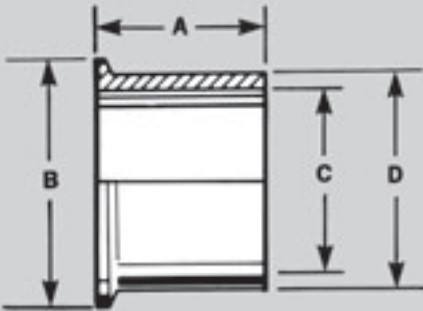
L14AM7 – BUTT WELDING FERRULE (3A)

SIZE (TUBE O.D.)	A	B	C	STOCK NO.
1	1-1/8	.870	1.000	327510
1-1/2	1-1/8	1.370	1.500	327515
2	1-1/8	1.870	2.000	327520
2-1/2	1-1/8	2.370	2.500	327525
3	1-1/8	2.870	3.000	327530
4	1-1/8	3.834	4.000	327540



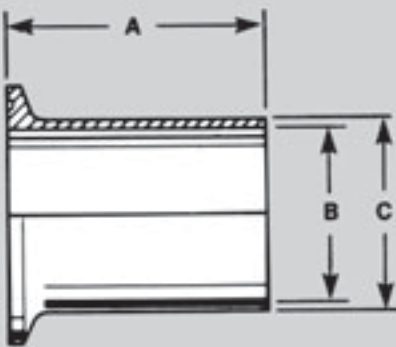
14RMP–RECESSLESS FERRULE (3A) (FOR EXPANDING)

SIZE (TUBE O.D.)	A	D	STOCK NO.
1	3/4	1	32110
1-1/2	1-1/8	1-1/2	32115
2	1-5/16	2	32120
2-1/2	1-3/8	2-1/2	32125
3	1-7/16	3	32130
4	1-1/2	4	32140



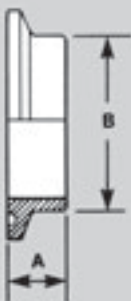
14MPW – TANK WELDING FERRULE (3A)

SIZE (TUBE O.D.)	A	B	C	D	STOCK NO.
1	1-5/8	1.984	.870	1.160	327610
1-1/2	1-5/8	1.984	1.370	1.676	327615
2	1-3/4	2.516	1.870	2.192	327620
2-1/2	1-3/4	3.047	2.370	2.708	327625
3	1-13/16	3.579	2.870	3.224	327630
4	2-1/8	4.682	3.834	4.256	327640



14WLMP – TANK WELDING SPUD-LIGHT (3A)

SIZE (TUBE O.D.)	A	B	C	STOCK NO.
1	3	.870	1.000	327710
1-1/2	3	1.370	1.500	327715
2	3	1.870	2.000	327720
2-1/2	3	2.370	2.500	327725
3	4	2.870	3.000	327730
4	4	3.834	4.000	32740

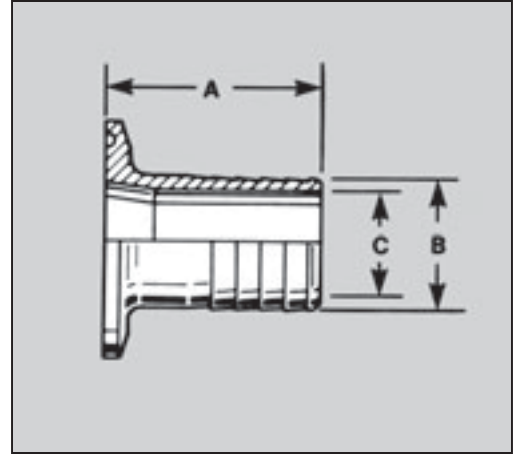


14WMP – SHORT WELDING FERRULE (3A)

SIZE (TUBE O.D.)	A	B	STOCK NO.
1	1/2	1.000	32210
1-1/2	1/2	1.500	32215
2	1/2	2.000	32220
2-1/2	1/2	2.500	32225
3	1/2	3.000	32230
4	5/8	4.000	32240
6	3/4	6.000	32260
8	7/8	8.000	32280

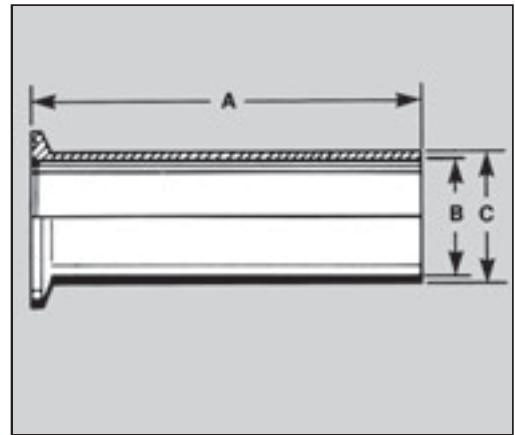
14MPHR – RUBBER HOSE ADAPTER

SIZE (TUBE O.D.)	A	B	C	STOCK NO.
1	1-11/16	1.000	.812	327810
1-1/2	1-11/16	1.500	1.312	327815
2	2-5/16	2.000	1.810	327820
2-1/2	2-11/32	2.500	2.312	327825
3	3-3/32	3.000	2.834	327830
4	3-13/32	4.000	3.834	327840



14MPHT – TYGON HOSE ADAPTER

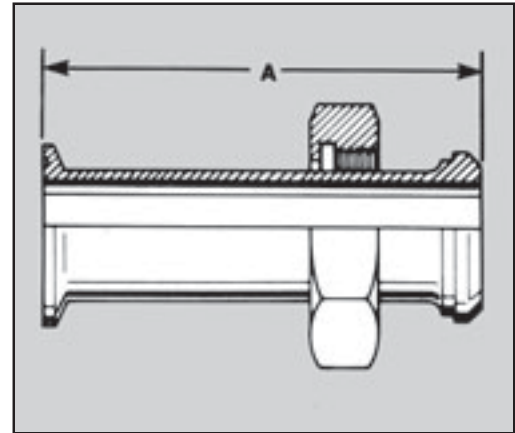
SIZE (TUBE O.D.)	A	B	C	STOCK NO.
1	4-1/2	.870	1.000	327910
1-1/2	4-1/2	1.370	1.500	327915
2	4-1/2	1.870	2.000	327920
2-1/2	4-1/2	2.370	2.500	327925
3	4-1/2	2.870	3.000	327930
4	4-5/8	3.834	4.000	327940



17MP-14 – ADAPTER (3A)

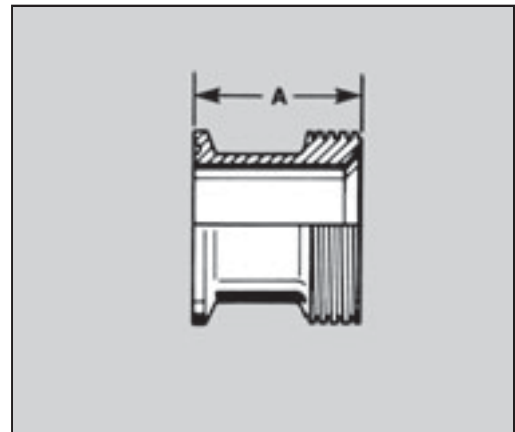
SIZE (TUBE O.D.)	A	STOCK NO.
1	3	328010
1-1/2	3	328015
2	3	328020
2-1/2	3-1/2	328025
3	3-3/4	328030
4	4	38040

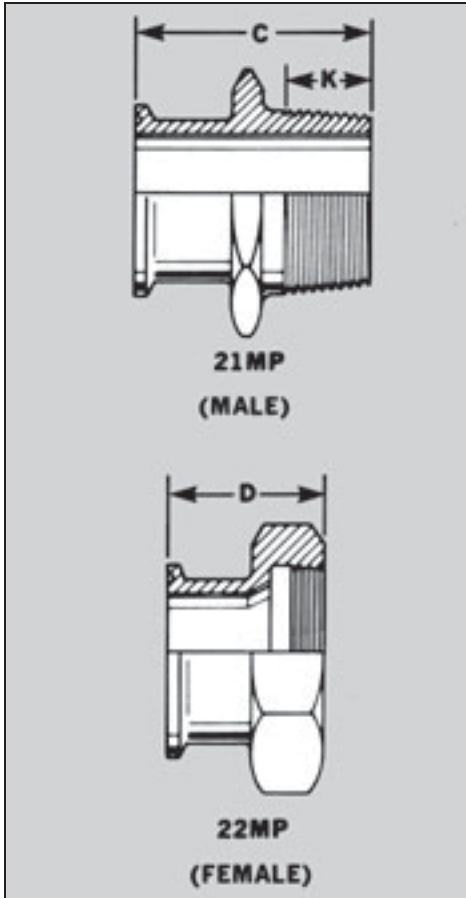
HEX NUT INCLUDED



17MP-15 – ADAPTER (3A)

SIZE (TUBE O.D.)	A	STOCK NO.
1	1-11/16	328110
1-1/2	1-23/32	328115
2	1-23/32	328120
2-1/2	1-27/32	328125
3	1-29/32	328130
4	2-11/32	328140

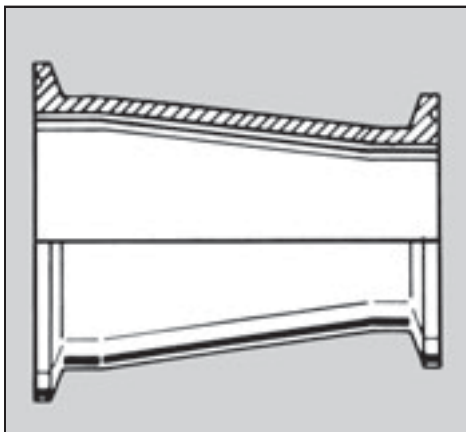




21MP and 22MP – ADAPTERS (N.P.T. Threads)

SIZE (TUBE O.D.)	NO. 21MP		NO. 22MP	STOCK NO.	
	C	K	D	21MP	22MP
1 x 3/4	2-3/16	35/64	1-5/8	328210	328310
1 x 1	2-1/4	11/16	1-5/8	328210A	328310A
1 x 1-1/2	2-7/16	23/32	2-1/4	328210B	328310B
1 x 2	2-5/8	3/4	2-1/4	328210C	328310C
1-1/2 x 3/4	2-3/16	35/64	1-5/8	328215	328315
1-1/2 x 1	2-5/16	11/16	1-5/8	328215A	328315A
1-1/2 x 1-1/4	2-7/16	45/64	2-1/4	328215B	328315B
1-1/2 x 1-1/2	2-7/16	23/32	2-1/4	328215C	328315C
1-1/2 x 2	2-5/8	3/4	2-1/4	328215D	328315D
2 x 1-1/4	2-15/32	45/64	1-11/16	328220	328320
2 x 1-1/2	2-15/32	23/32	1-11/16	328220A	328320A
2 x 2	2-21/32	3/4	2-11/32	328220B	328320B
2 x 2-1/2	3-1/8	1-9/64	2-13/32	328220C	328320C
2-1/2 x 1	2-25/32	5/8	1-5/16	328225	328325
2-1/2 x 1-1/2	2-25/32	23/32	1-21/32	328225A	328325A
2-1/2 x 2	2-25/32	3/4	1-23/32	328225B	328325B
2-1/2 x 2-1/2	3-9/32	1-9/64	2-3/32	328225C	328325C
3 x 3	3-1/2	1-13/64	2-3/16	328230	328330
4 x 4	3-13/16	1-19/64	2-5/8	328240	328340

WHEN ADAPTER DIMENSIONS ARE GIVEN, SANITARY STYLE END IS ALWAYS INDICATED FIRST



31-14MP – CONCENTRIC REDUCER (3A)

SIZE (TUBE O.D.)	OVERALL LENGTH	STOCK NO.	SIZE (TUBE O.D.)	OVERALL LENGTH	STOCK NO.
1-1/2 x 1	3	328415	3 x 1-1/2	7	328430
2 x 1	5	328420	3 x 2	5	328430A
2 x 1-1/2	3	328420A	3 x 2-1/2	3	328430B
2-1/2 x 1	7	328425	4 x 2	9-1/8	328440
2-1/2 x 1-1/2	5	328425A	4 x 2-1/2	7-1/8	328440A
2-1/2 x 2	3	328425B	4 x 3	5-1/8	328440B



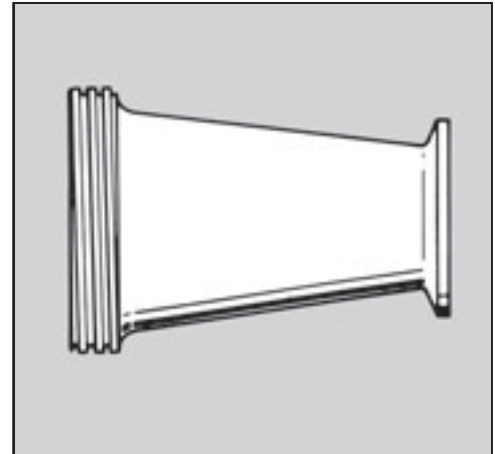
32-14MP – ECCENTRIC REDUCER (3A)

SIZE (TUBE O.D.)	OVERALL LENGTH	STOCK NO.	SIZE (TUBE O.D.)	OVERALL LENGTH	STOCK NO.
1-1/2 x 1	3	328515	3 x 2	5	328530A
2 x 1	5	328520	3 x 2-1/2	3	328530B
2 x 1-1/2	3	328520A	4 x 2	9-1/8	328540
2-1/2 x 1-1/2	5	328525	4 x 2-1/2	7-1/8	328540A
2-1/2 x 2	3	328525A	4 x 3	5-1/8	328540B
3 x 1-1/2	7	328530			

31TMP – ADAPTER - REDUCER - CONCENTRIC (3A)

SIZE (TUBE O.D.)	OVERALL LENGTH	STOCK NO.
1-1/2 x 1	3-7/32	329015
2 x 1	5-7/32	329020
2 x 1-1/2	3-7/32	329020A
2-1/2 x 1-1/2	5-11/32	329025
2-1/2 x 2	3-11/32	329025A

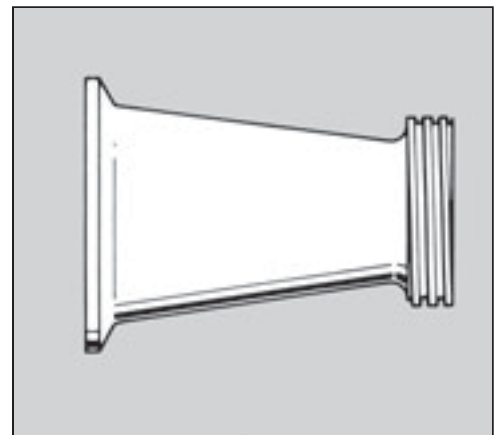
SIZE (TUBE O.D.)	OVERALL LENGTH	STOCK NO.
3 x 2	5-15/32	329030
3 x 2-1/2	3-13/32	329030A
4 x 2-1/2	7-23/32	329040
4 x 3	5-23/32	329040A



31MPT – ADAPTER-REDUCER-CONCENTRIC (3A)

SIZE (TUBE O.D.)	OVERALL LENGTH	STOCK NO.
1-1/2 x 1	3-3/16	329315
2 x 1	5-3/16	329320
2 x 1-1/2	3-7/32	329320A
2-1/2 x 1-1/2	5-7/32	329325
2-1/2 x 2	3-7/32	329325A

SIZE (TUBE O.D.)	OVERALL LENGTH	STOCK NO.
3 x 2	5-7/32	329330
3 x 2-1/2	3-11/32	329330A
4 x 2-1/2	7-15/32	329340
4 x 3	5-17/32	329340A

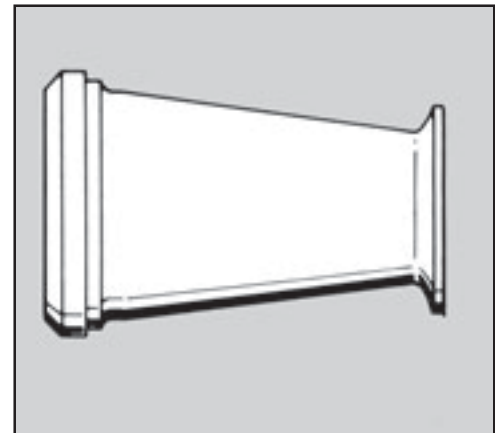


31PMP–REDUCING FERRULE-CONCENTRIC (3A)

SIZE (TUBE O.D.)	OVERALL LENGTH	STOCK NO.
*1-1/2 x 1	3-7/32	328615
2 x 1	5-7/32	328620
2 x 1-1/2	3-7/32	328620A
2-1/2 x 1-1/2	5-11/32	328625
2-1/2 x 2	3-11/32	328825A

SIZE (TUBE O.D.)	OVERALL LENGTH	STOCK NO.
3 x 2	5-13/32	328630
3 x 2-1/2	3-13/32	328630A
4 x 2-1/2	7-23/32	328640
4 x 3	5-23/32	328640A

*HEX NUT INCLUDED (1-1/2" X 1")

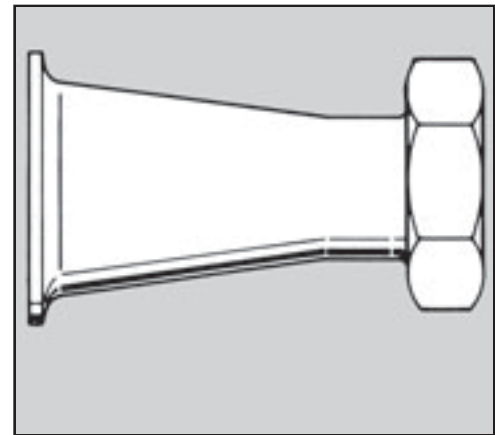


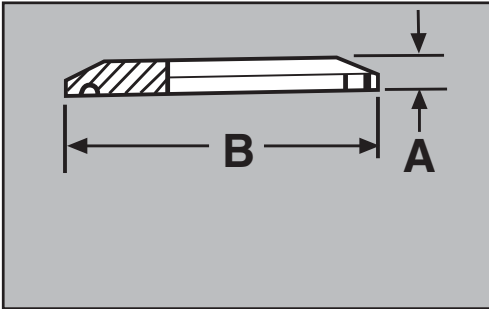
31MMP – ADAPTER - REDUCER - CONCENTRIC (3A)

SIZE (TUBE O.D.)	OVERALL LENGTH	STOCK NO.
1-1/2 x 1	4-1/8	328815
2 x 1	6-1/8	328820
2 x 1-1/2	4-7/32	328820A
2-1/2 x 1-1/2	6-7/32	328825
2-1/2 x 2	4-13/32	328825A

SIZE (TUBE O.D.)	OVERALL LENGTH	STOCK NO.
3 x 2	6-13/32	328830
3 x 2-1/2	4-21/32	328830A
4 x 2-1/2	8-25/32	38840
4 x 3	6-15/16	328840A

HEX NUT INCLUDED





16AMP-SOLID END CAP (3A)

SIZE (TUBE O.D.)	A	B	STOCK NO.
1 & 1-1/2	.250	1.9843	329815
2	.250	2.516	329820
2-1/2	.250	3.047	329825
3	.250	3.579	329830
4	.312	4.682	329840

CLAMP GASKETS (1" O.D. TO 8" O.D.)(3A)



O-RING

40MP-U Buna N
 40MP-UW Buna White
 40MP-X Silicone
 40MP-E E.P.D.M.
 40MP-G Teflon
 40MP-SFY Viton



FLANGED (TYPE 2)

40MPF-U Buna N
 40MPF-X Silicone
 40MPF-E E.P.D.M.
 40MPF-SFY Viton

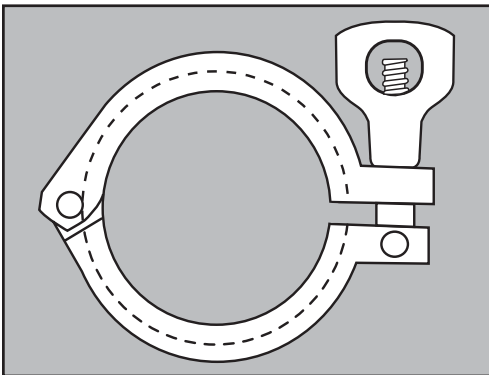


ENVELOPE (TYPE 3)

A40MP-GR Teflon

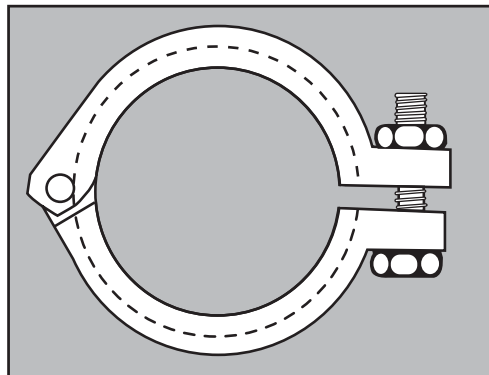
ALSO AVAILABLE

Bevel Seat
 John Perry



13IS - TI-LINE - HEAVY DUTY CLAMP Size Range: 1" to 4" Tube O.D.

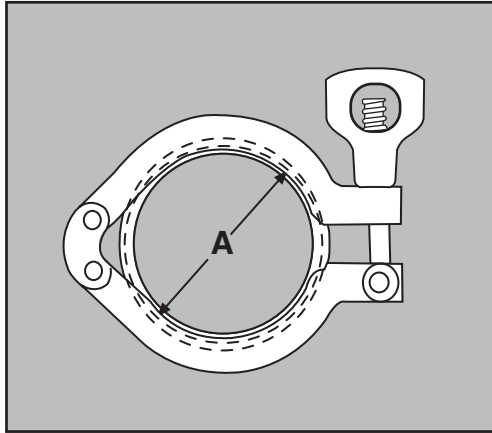
SIZE (TUBE O.D.)	STOCK NO.
1 - 1-1/2	329915I
2	329920I
2-1/2	329925I
3	329930I
4	329940I



13I - TI-LINE - BOLTED CLAMP Size Range: 1" to 4" Tube O.D.

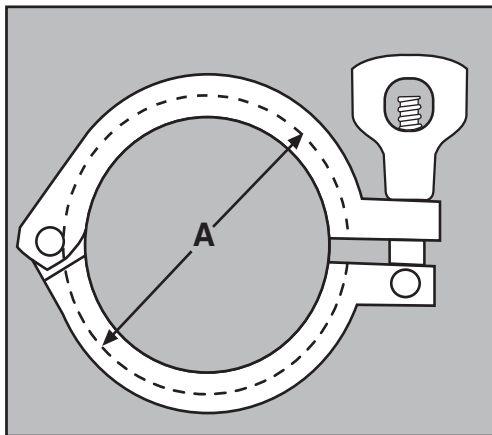
SIZE (TUBE O.D.)	STOCK NO.
1 - 1-1/2	329915HPI
2	329920HPI
2 1/2	329925HPI
3	329930HPI
4	329940HPI

NOTE: 1" CLAMP FITTINGS USE 1-1/2" CLAMPS



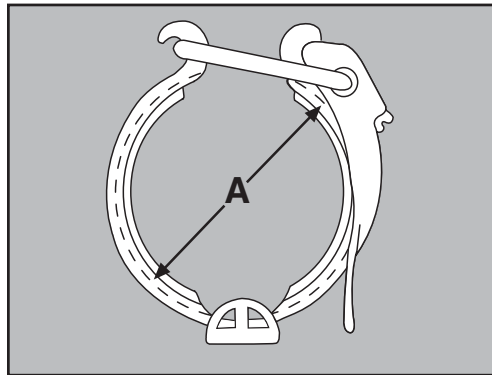
13MHHM-HEAVY DUTY CLAMP
 Size Range: 1 - 1-1/2" to 10" Tube O.D.

SIZE (TUBE O.D.)	A	STOCK NO.
1 - 1-1/2	2.140	329915
2	2.610	329920
2-1/2	3.141	329925
3	3.673	329930
4	4.776	329940
8	8.695	329980
10	10.695	3299100



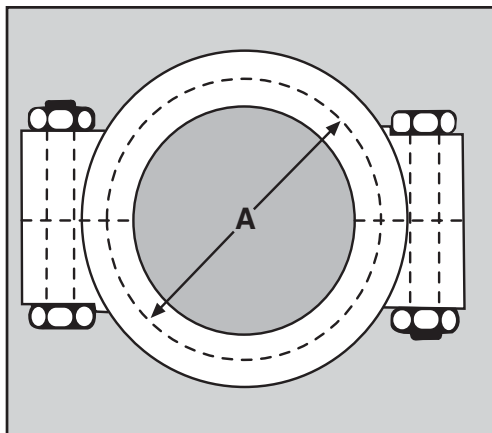
13LAH-HEAVY DUTY CLAMP
 Size Range: 1/2" to 6" Tube O.D.

SIZE (TUBE O.D.)	A	STOCK NO.
1 - 1-1/2	2.140	3299915
2	2.610	3299920
2 1/2	3.141	3299925
3	3.673	3299930
4	4.776	3299940
6	6.695	3299960



13MHLA ADJUSTABLE CLAMP
 Size Range: 1 - 1-1/2" to 4" Tube O.D.

SIZE (TUBE O.D.)	A	STOCK NO.
1 - 1-1/2	2.140	321415
2	2.610	321420
2-1/2	3.141	321425
3	3.673	321430
4	4.776	321440



13MHP-HIGH PRESSURE CLAMP
 Size Range: 1-1/2" to 6" Tube O.D.

SIZE (TUBE O.D.)	A	STOCK NO.
1 - 1-1/2	2.046	329915HP
2	2.578	329920HP
2-1/2	3.110	329925HP
3	3.640	329930HP
4	4.744	329940HP
6	6.632	329960HP

with Aluminum Bronze Nuts

. . . the source for all your product needs
in the process industries

TOP LINE

Contact your Top Line
Representative for Assistance

Office: P.O. Box 264

Bradford, PA 16701

Plant: 21 Valley Hunt Drive

Lewis Run, PA 16738

800-458-6095

814-362-4626

Fax: 814-362-4453



PUMPS - Centrifugal, Rotary Lobe, Magnetic Drive



VALVES - Manual, Actuated, Diaphragm



FITTINGS - Clamp, Sanitary Butt Weld, Bevel Seat, Tube OD Butt Weld, Custom, Biopharm



TUBING, GAUGES, SIGHT GLASSES, BRAIDED HOSE

