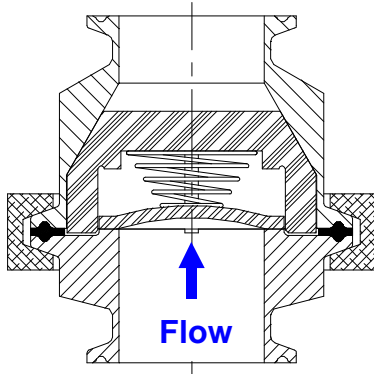
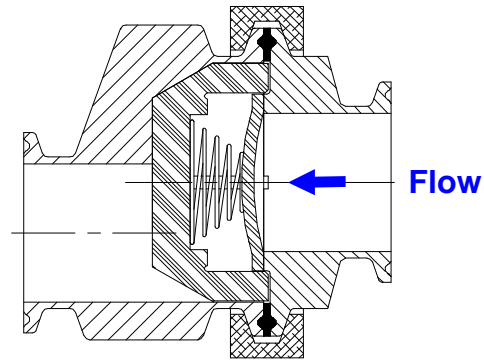


DSV[™] Sanitary Check Valve



“Vertical Valve”



“Horizontal Valve”

The **DSV** is an in-line spring-assisted check valve designed to prevent flow reversal in industries with strict cleanliness codes. To accommodate various piping arrangements, the **DSV** is available as a “**Vertical**” or “**Horizontal**” valve. The **DSV**, with a **316L** stainless steel body and seat, is fastened with a quick release clamp and elastomeric o-ring to permit fast and easy access to the internals. The internal surface finish is **25 Ra** while the disc and seat are lapped to provide excellent shutoff.

Features

- Spring-assisted silent closing
- Sizes 1”, 1-1/2”, 2” and 3”
- 150 CWP, 108 ANSI Pressure Class
- 316L body and seat
- 316 disc, spring and guide assembly
- 25 Ra Internal Surface Finish
- Low cracking pressure springs
- EPDM Body Seal (300°F max)
- CIP (Clean in Place)
- Clamped ends
- Horizontal or vertical installation
- Lapped “metal” seat and disc
- Seat Leakage per MSS SP-61
- Meets 3A Standard

Applications

Liquids

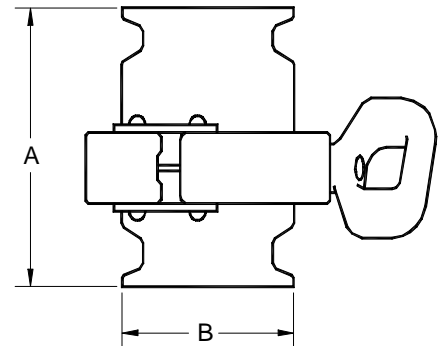
Gases

Steam

DSV™ Sanitary Check Valve

"Vertical" Sanitary Check Valve

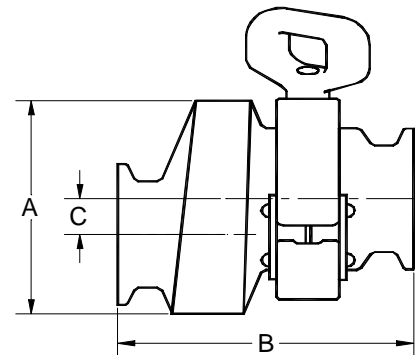
	1"	1-1/2"	2"	3"	
PRODUCT CODE	2104	2106	2107	2109	
A	2.92	3.29	4.03	4.38	
B (dia.)	2.00	2.50	3.00	4.00	
Weight	2.3	2.8	3.9	6.1	
CV	15	38	76	102	
Cracking Pressure (psi)	Flow Down	.31	.23	.16	.42
	Flow Up	.41	.33	.31	.66



All dimensions are in inches. Weights are in pounds.

"Horizontal" Sanitary Check Valve

	1"	1-1/2"	2"	3"
PRODUCT CODE	2114	2116	2117	2119
A	3.48	3.67	4.41	4.88
B (dia.)	3.00	3.12	3.62	4.75
Weight	3.7	4.0	5.8	9.9
C	.50	.50	.50	.48
CV	14	36	72	97
Cracking Pressure (psi)	.36	.28	.23	.54



All dimensions are in inches. Weights are in pounds.

MATERIALS OF CONSTRUCTION

Body	316L SS
Seat	316L SS
Disc	316 SS
Spring	316 SS
Guide Assembly	316 SS
Body Seal	EPDM (-75°F to +300°F)
Clamp	304 SS
Internal Surface Finish	25 Ra



DFT^{INC}

P.O. Box 566
 Exton, PA 19341-0566
 Phone: **800-206-4013**
 610-363-8903
 Fax: 610-524-9242
 Email: dft@dft-valves.com
 Internet: www.dft-valves.com

Represented by: